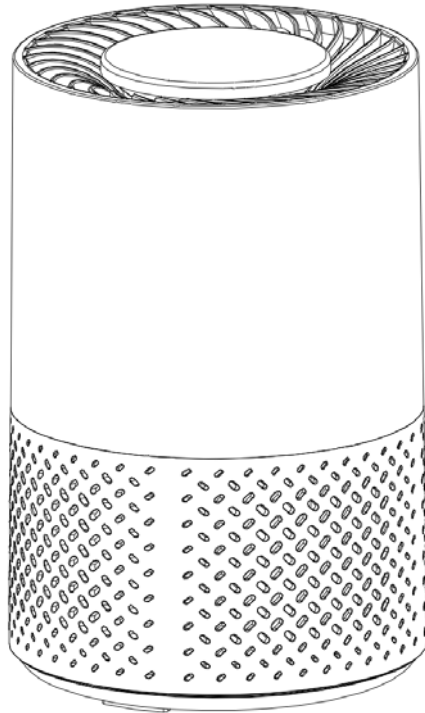


InvisiClean Stella Air Purifier

Model: IC-2010



USE & CARE INSTRUCTIONS

If you have any questions, please email us at support@invisiclean.com or call us at 818-787-1188 Monday-Friday 9AM-5PM Pacific time for immediate assistance.

READ AND SAVE THESE INSTRUCTIONS WARNING

Failure to comply with the warnings listed below may result in electric shock or serious injury.



This product should be used only in accordance with the specifications outlined in this manual. Usage other than what has been specified here may result in serious injury.

When using electrical appliances, basic precautions should always be followed to reduce the risk of fire, electric shock and injury to persons, including the following:

- Read all instructions before using appliance.
- **IMPORTANT** - This appliance has a polarized plug (one blade is wider than the other). To reduce the risk of electric shock, this plug is intended to fit in a polarized outlet only one way. If the plug does not fit fully in the outlet, reverse the plug. If it still does not fit, contact a qualified electrician. Do not attempt to defeat this safety feature.
- To avoid fire or shock hazard, plug the appliance directly into a right AC electrical outlet.
- Keep the cord out of heavy traffic areas. To avoid fire hazard, NEVER put the cord under rugs, near heat registers, radiator, stoves or heaters.
- To protect against electrical hazards, DO NOT immerse in water or other liquids. Do not use near water.
- Children cannot recognize the hazards associated with the usage of electrical appliances. For this reason, always supervise children when they are near the unit.
- Always unplug the air purifier before moving it, opening the grill, changing filters, cleaning or whenever the air purifier is not in use. Be sure to pull by the plug and not the cord.
- NEVER drop or insert any object into any openings.
- DO NOT run cord under carpeting.
- DO NOT cover cord with throw rugs, runners, or similar coverings.
- DO NOT route cord under furniture or appliances. Arrange cord away from traffic area and where it will not be tripped over.

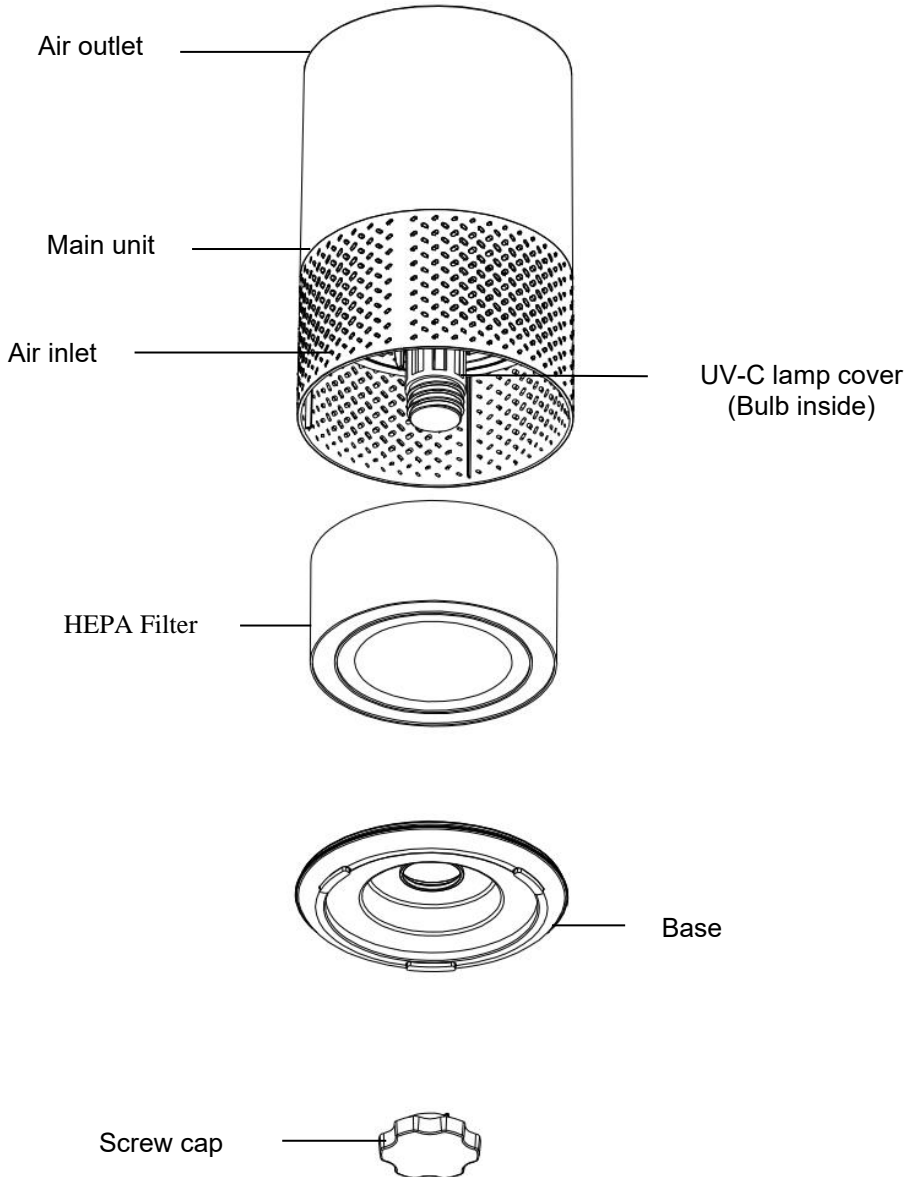
- DO NOT operate any appliance with a damaged cord or plug, if motor fan fails to rotate, after the appliance malfunctions, or if it has been dropped or damaged in any manner. Send to Customer Service for assistance.
- Use appliance only for intended household use as described in this manual. Any other use not recommended by the manufacturer may cause fire, electric shock or injury to persons.
- DO NOT use outdoors.
- DO NOT place anything on top of unit.
- NEVER block the air openings, grills/outlets or place on a soft surface such as a bed or sofa, as this could cause the unit to tip over, blocking the air intake or outtake opening.
- DO NOT attempt to repair or adjust any electrical or mechanical functions on this unit. Doing so will void your warranty. The inside of the unit contains no user serviceable parts. All servicing should be performed by qualified personnel only.

Disconnect the appliance from the power supply before servicing.

WARNING – Skin or eye damage may result from directly viewing the light produced by the UV bulb in this apparatus. Always disconnect power before replacing the bulb or servicing. Replace bulb with InvisiClean model IC-2010-BULB

CAUTION: This equipment should be inspected frequently and collected dirt removed from it regularly to prevent excessive accumulation that may result in flashover or a risk of fire.

PRODUCT DIAGRAM



AIR PURIFICATION SYSTEM

Improve your indoor air quality with your new air purifier. Multiple levels of cleaning are included with your air purifier:

PRE-FILTER: Captures initial larger particles such as pet hair, dust, and allergens. Please vacuum or brush off monthly for optimum performance.

HEPA: Captures dust, smoke, pollen and other small particles.

ACTIVATED CARBON: Absorbs formaldehyde, benzene and other odors and gases.

UV-C LIGHT: Destroys microorganisms such as germs, viruses, bacteria, and mold.

IONS: Negative ions improve the air quality by combining with dust to create larger particles that become heavy and fall to the ground. It is considered better to fall to the ground than to be breathed in but you may notice more dust settling the surrounding furniture.

OPERATING INSTRUCTIONS

BEFORE OPERATING THE AIR PURIFIER:

1. Carefully remove your air purifier from box and plastic bag.
2. Remove the filter from the unit and remove the plastic packaging from the filter before use. Please read the "Installing & Removing Filters" section of this manual for more guidance.
3. Select a firm, level surface for the air purifier. For proper air flow, locate the unit at least 1 foot from any wall or furniture. Make sure none of the intake and outlet grills are blocked.
4. Plug the power cord into an AC outlet.

OPERATING THE AIR PURIFIER



1. "POWER/FILTER RESET" BUTTON:

Touch to turn on/off the air purifier

Note: Press and hold POWER Button for 5 seconds to reset Filter Reset light.



2. "TIMER" BUTTON:

By pressing this button, the purifier can be timed to operate for intervals of 2, 4, and 8 hours, stopping automatically when the time has elapsed.



3. "UV/ION/SLEEP" BUTTON:

Press this button to turn on/off the UV, ION, and SLEEP mode.

Note: Press and hold this button for 5 seconds to turn to SLEEP MODE



4. "FAN SPEED" BUTTON:

The fan speed of the unit can be adjusted when the unit is in operation: Low(1), Medium(2), High(3). Each time that you press the (FAN SPEED) button, the speed adjusts from 1 (Low) to 2 (Medium) to 3 (High).

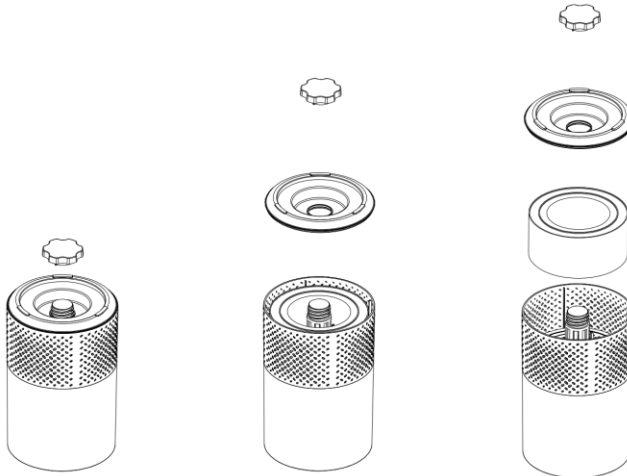
Important note: When the unit is not in use, please switch it off and unplug it.

INSTALLING & REMOVING FILTERS

FILTER REPLACE INDICATOR

The FILTER RESET light indicates that it is time to check your filter and replace if necessary. We recommend changing the filter when the outside of the filter turns a dark grayish color. The time frame of when this happens can vary greatly depending on usage and environment. After checking or replacing the filter according to the directions below, press the POWER button or 5 seconds to reset indicator. The light will turn off.

*The filter will last approximately 6 - 12 months depending on environment. Please replace with only genuine InvisiClean filter model: IC-2010-FILTER



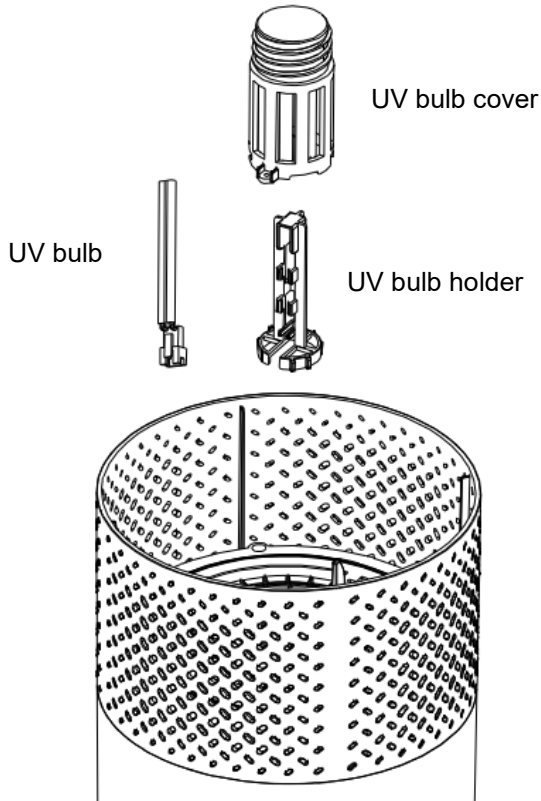
1. Unplug the unit and place it upside down.
2. Turn the screw cap counter-clockwise to remove and remove the base.
3. Take out dirty filter and insert a new filter into the unit.
4. Reattach the base to the unit and fasten it with screw cap.
5. Press and hold POWER Button for 5 seconds to reset the light.

UV BULB REPLACEMENT

(Model: IC-2010-BULB)

1. Remove the 2 screws holding the UV bulb cover in place. Please use caution to not drop the screws inside the unit.
2. Turn the UV bulb cover counter-clockwise and unlatch it from the unit.
3. Locate the power plug and press the tab to unplug it from the unit.
4. Remove the UV bulb from the holder by pressing on it from the opposite side to slide it out of the holder.
5. Insert a new UV bulb into the holder, plug it into the connector.
6. Line the holder up with the notches in the base and guide the wires so they do not get pinched.
7. Reinstall the cover and reinstall the screws.

Note: Do not look into the UV bulb when it is ON.



CLEANING & MAINTENANCE

The exterior of machine should be cleaned at least once every month using a clean, dry, soft cloth. More or less cleaning may be required depending on environmental conditions.

NOTE:

- Do NOT stick any foreign objects or your fingers inside of the unit.
- Do NOT use gasoline, benzine, thinner, harsh cleaners, etc. on and/or in the unit while cleaning as they will damage the product. NEVER use alcohol or other solvents.

FILTER MAINTENANCE

The exterior of the filter should be cleaned with the brush attachment of your vacuum cleaner or brushed off once a month to maintain the best performance.

Filters should be replaced every 6-12 months. More or less cleaning and replacing may be required depending on environmental conditions.

Thank you for purchasing an InvisiClean product. InvisiClean is a US company with customer support in the USA. We design and test our products to higher standards and do not take shortcuts to cut costs. If you have any questions or concerns about our products please contact us directly by email at support@invisiclean.com or call us at 818-787-1188 Monday-Friday 9AM-5PM.

Warranty: 1 year from the date of purchase

InvisiClean warrants this product to be free of defects in materials or workmanship commencing upon the date of the original purchase. Save your original sales receipt to validate start of warranty period. Warranty is not valid without receipt. If this product should become defective within the warranty period, we will repair or replace any defective parts free of charge. All warranty repairs must be completed by InvisiClean. This warranty does not cover unauthorized repairs. The warranty does not include unusual wear, damage resulting from accident or unreasonable use of the product. This warranty only covers the product when used with genuine InvisiClean accessories. This warranty covers product that was purchased from authorized distributors. This warranty gives you specific legal rights and you may also have other rights (other rights may vary from state to state in the U.S.A.). To submit product under warranty the complete machine must be delivered pre-paid to InvisiClean. Please include complete information including: the problem, the model number of the product, the day of purchase, and a copy of the original sales receipt along with your name, address, and telephone (email optional). Please contact the original authorized retailer for return authorization and instructions.